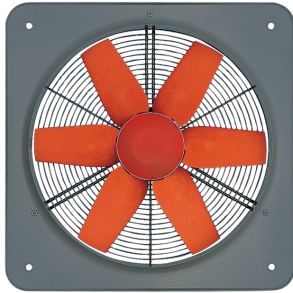


# Technical Data Sheet

CODE 42252

## MP 252 M

Medium-pressure plate axial fans



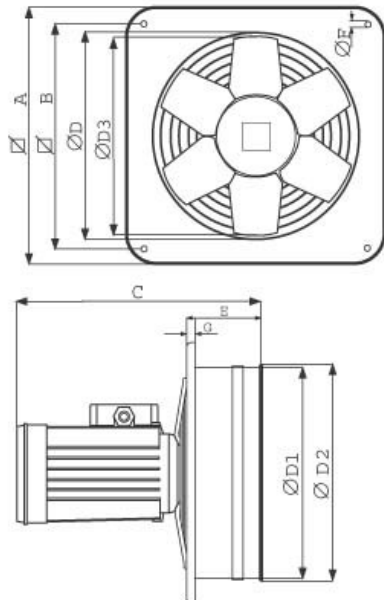
## Certifications



## TECHNICAL AND PERFORMANCE DATA

Absorbed Current at 220 V (A)	1	Nominal Diameter (mm)	250
Absorbed Current at 240 V (A)	1	Number of Poles	2
Absorbed Current max (A)	1	Voltage (V)	220-240
Absorbed Power at 220 V (W)	205	Weight (Kg)	6,1
Absorbed Power at 240 V (W)	230	Delivery max (l/s)	556
Absorbed Power max (W)	230	Delivery max (m <sup>3</sup> /h)	2000
Frequency (Hz)	50	Pressure max (mmH2O)	41
Insulation Class	I°	Pressure max (Pa)	402
IP	55	RPM	2800
Max ambient temperature for continuous operation (°C)	70	Sound Pressure level Lp [dB (A)] 3m	70

## DIMENSIONS



Size A (mm)	320
Size B (mm)	280
Size C (mm)	279
Size D (mm)	∅ 256
Size D1 (mm)	∅ 258,5
Size D2 (mm)	∅ 264
Size D3 (mm)	∅ 250
Size E (mm)	92
Size F (mm)	∅ 8
Size G (mm)	10

### PER INFORMAZIONI:

Servizio al Cliente: tel +39 02 90699395 premendo 1 dopo messaggio registrato (consulenza su prodotti e impianti)

Pre & Post Vendita: fax +39 02 90699302

Email prevendita: prevendita@vortice-italy.com

# Technical Data Sheet

CODE 42252

## MP 252 M

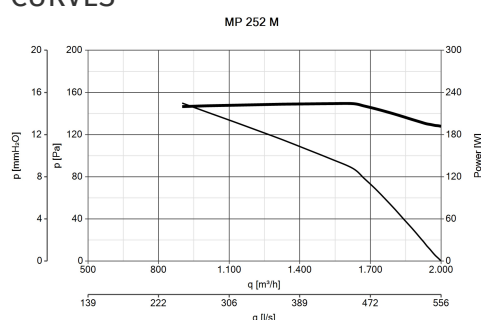
Medium-pressure plate axial fans



### DESCRIPTION

- Nominal diameter 250 mm
- Wall-mounting panel manufactured from phosphated pressed steel, polyester powder coated with hammered effect finish, guaranteeing long-term resistance to atmospheric agents.
- Ventilation port fashioned in one piece with the panel and gauged to optimize air flow.
- Protective grille (in accordance with UNI ISO 13857 standard) combining the function of motor bracket, made of electrically welded steel with epoxy paint finish, colour black. Easy removal simplifies maintenance and cleaning of the fan.
- 1 speed asynchronous single phase AC motor with shaft turning in double shielded ball bearings, insulation class F.
- Maximum air flow 2,000 m<sup>3</sup>/h
- Impeller with 6 wing profile blades keyed to a diecast aluminium hub and dynamically balanced (UNI ISO 1940 – Balancing class 6.3), optimized to deliver maximum performance and low noise levels, moulded from filled polypropylene for superior dimensional stability and resistance to atmospheric agents.
- Vortice speed controllers.

### CURVES



### ACCESSORIES



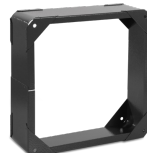
**PGR 250**  
**(PERSIANA**  
**GRAVITA')**

Code 50150



**TRA 250**  
**(TELAIO CON**  
**RETE ANTINF.)**

Code 51150



**DPU 250**  
**(DISTANZIATORE)**

Code 52151



**IREM 3 CD**  
**99250080**

Code 12931



**IREM 5 CD**  
**99250081**

Code 12932



**IREM 9 CD**  
**99250082**

Code 12933



**IREM INVERTER**  
**4 M**

Code 12815

#### PER INFORMAZIONI:

Servizio al Cliente: tel +39 02 90699395 premendo 1 dopo messaggio registrato (consulenza su prodotti e impianti)

Pre & Post Vendita: fax +39 02 90699302

Email prevendita: [prevendita@vortice-italy.com](mailto:prevendita@vortice-italy.com)